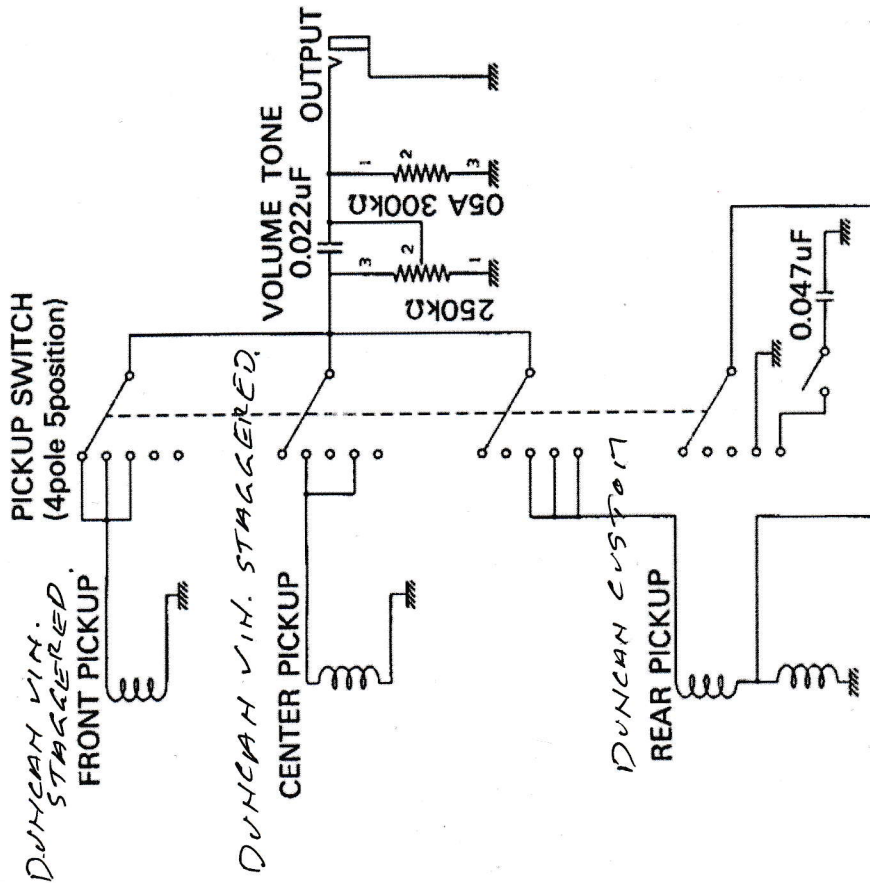
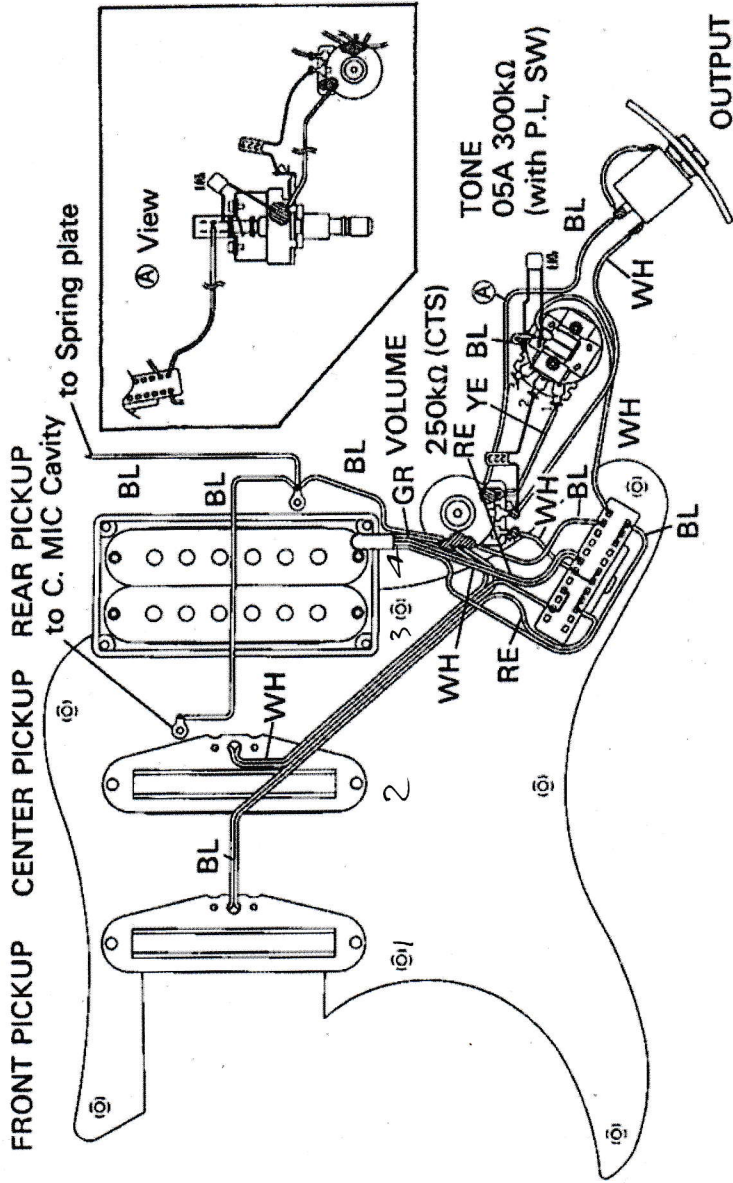


■ CIRCUIT DIAGRAM (回路図)



■ WIRING (配線図)



1 - BRIDGE with Tap Front Coil (C3)

2 - 2+3

3 - 1+4

4 - 1+2