

ELECTRIC GUITAR AEX502

SERVICE MANUAL



■ CONTENTS

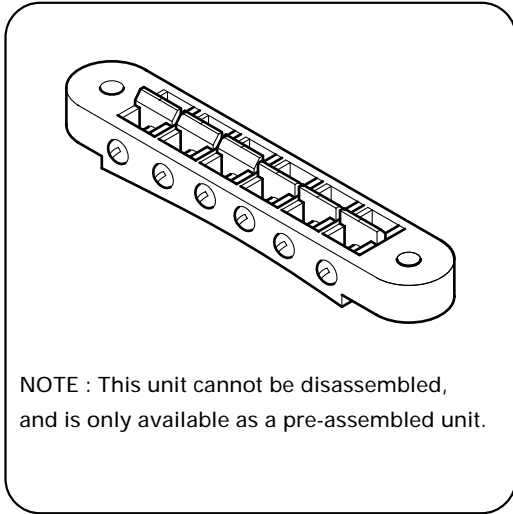
OVERALL ASSEMBLY	2
PARTS LIST	3
CIRCUIT DIAGRAM	4
WIRING	4
SPECIFICATIONS	4

EG 011455

 **YAMAHA**
HAMAMATSU, JAPAN
0.9K-19  Printed in Japan '98.12

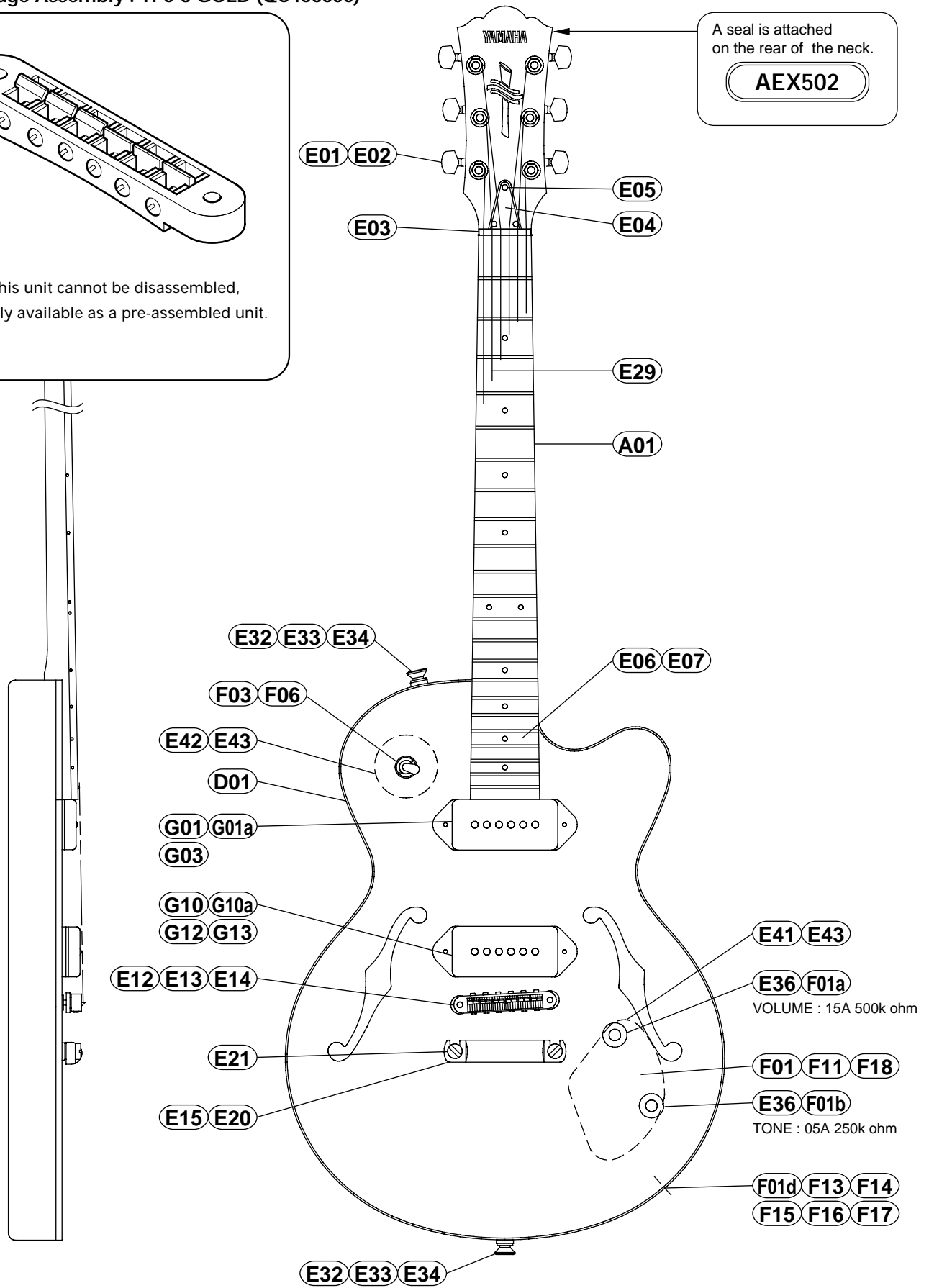
OVERALL ASSEMBLY

E12 Bridge Assembly : TP6-3 GOLD (QC466600)



A seal is attached on the rear of the neck.

AEX502



PARTS LIST

REF NO.	PART NO.	DESCRIPTION		REMARKS	QTY	RANK
* A01	DX809770	OVERALL ASSEMBLY		AEX502		
A01a	--	Neck Assembly		(QC47830)		
D01	--	Body				
E01	QA170800	Tuning Machine Assembly	RM-1271 (GVR)	1set		17
E02	03704070	Round Head Wood Screw	2.4X10 GOLD (GL)		6	
E03	VQ014700	Nut	43mm (Ivory)			02
E04	VQ011800	Rod Cover	BL			02
E05	03706220	Oval Head Wood Screw	2.1X10 FCM3BL (BL)		3	01
E06	QC205200	Neck Joint Bushing	BL		4	04
E07	EN240070	Oval Head Tapping Screw	5.0X45 FCM3BL (BL)		4	
* E12	QC466600	Bridge Assembly	TP6-3 (GOLD)			
* E13	QC466700	Bridge Adjusting Screw	TP6-3S (GOLD)		2	
* E14	QC466800	Nut	TP6-3B (GOLD)		2	
* E15	QC466900	Tailpiece Assembly	TP6-1 (GOLD)			
* E20	QC467000	Tailpiece Column	TP6-1S (GOLD)		2	
* E21	QC467100	Nut	TP6-1B (GOLD)		2	
E29	--	Strings	XL-115	1set (QC40220)		
E32	BB802460	Strap Button	GOLD		2	02
E33	EN230130	Oval Head Wood Screw	3.0X25 GOLD		2	02
E34	VB793700	Spacer	BL		2	01
* E36	QC476800	Knob	GOLD	VOLUME,TONE	2	
E41	VD955600	Back Cover	Electrical (BL)			05
E42	CB023450	Back Cover	Switch (BL)			03
E43	EB620020	Oval Head Wood Screw	2.7X13 FCM3BL (BL)		7	03
F01	--	Electrical Unit		(QC47840)		
F01a	HS120070	Variable Resistor	15A 500K ohm	VOLUME		03
F01b	HS120100	Variable Resistor	05A 250K ohm	TONE		03
F01c	UA114220	Mylar Cap.	0.022uF 50 K			01
F01d	QC234900	Jack				04
* F03	QA025000	Pickup Switch	3-P GOLD			
F06	VA295700	Washer	BL			02
* F11	ET800010	Toothed Lock Washer	A12S			
F13	VB518300	Jack Panel	BL			05
F14	EB620020	Oval Head Wood Screw	2.7X13 FCM3BL (BL)		2	03
F15	LX200020	Hexagonal Nut	9S FCM33G			01
F16	LX200010	Flat Washer	9S FCM3BL			01
F17	ET800180	Toothed Lock Washer	A9S FNM33G			01
F18	EA620060	Round Head Wood Screw	2.7X13 FCM33G (CR)		2	03
* G01	QC477800	Pickup Assembly		Front		
* G01a	QC468500	Pickup Cover	P90 (BL)			
G03	03704270	Round Head Wood Screw	2.7X13 FCM3BL (BL)		2	
* G10	QC477800	Pickup Assembly		Rear		
* G10a	QC468500	Pickup Cover	P90 (BL)			
G12	03704270	Round Head Wood Screw	2.7X13 FCM3BL (BL)		2	
* G13	QC477600	Pickup Spacer	PVC (BL)		2	
H01	QC354400	Accessory Unit (G-5)		1set		08
*	QC466600	Bridge Assembly	TP6-3 (GOLD)			

* : New Parts

RANK : Japan only

WARNING : CHEMICAL CONTENT NOTICE!

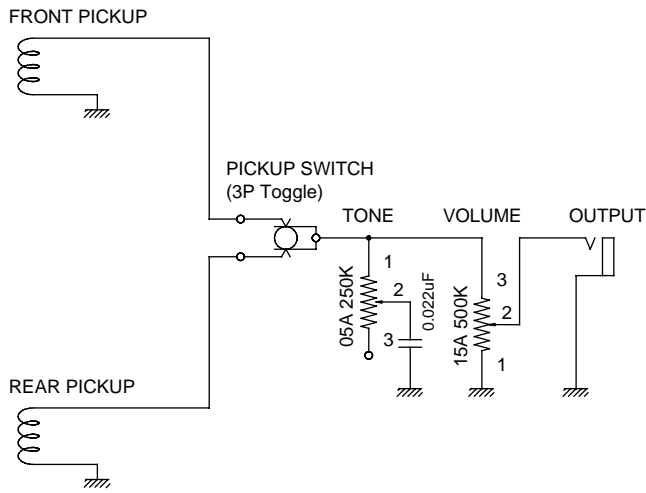
The solder used in the production of this product contains LEAD. In addition, other electrical/electronic and/or plastic (Where applicable) components may also contain traces of chemicals found by the California Health and Welfare Agency (and possibly other entities) to cause cancer and/or birth defects or other reproductive harm.

DO NOT PLACE SOLDER, ELECTRICAL/ELECTRONIC OR PLASTIC COMPONENTS IN YOUR MOUTH FOR ANY REASON WHAT SO EVER!

Avoid prolonged, unprotected contact between solder and your skin! When soldering, do not inhale solder fumes or expose eyes to solder/flux vapor!

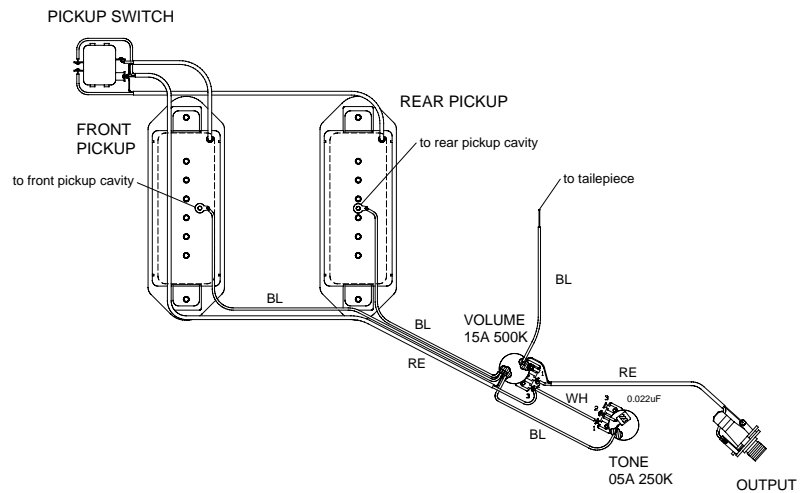
If you come in contact with solder or components located inside the enclosure of this product, wash your hands before handling food.

■ CIRCUIT DIAGRAM



(GP02-02)

■ WIRING



■ SPECIFICATIONS

● STANDARD SPECIFICATIONS

Scale Length 628.6mm
 Body-Neck Construction Bolt On
 Length 979.0mm
 Width 360.0mm
 Net Weight 3.2kg

● COLOR

Body
 BL Black
 OST Orange Stain
 BS Brown Sunburst
 Neck
 BL Black

● BODY

Material Alder + Spruce or Sycamore
 Body Depth 47.0mm

● FINGERBOARD

Material Rosewood
 Fingerboard Width 0-F 43.0mm, 12-F 52.3mm
 No. of Frets 22

● NECK

Material Maple
 Neck Thickness 1-F 20.9mm, 12-F 23.1mm

● PARTS

Hardware Gold Plated
 Nut Urea
 Bridge TP6-3 : (Gold)
 Tailpiece TP6-1 : (Gold)
 Strings XL-115

● CONTROLS

Volume 15A 500k ohm x 1
 Tone 05A 250k ohm x 1
 Pickup Switch Toggle Switch : Gold
 (3 position)

● PICKUPS

Front/Rear Single Coil : Dog Ear
 Magnet
 Front/Rear Alnico