

ELECTRIC GUITAR

AEX500N

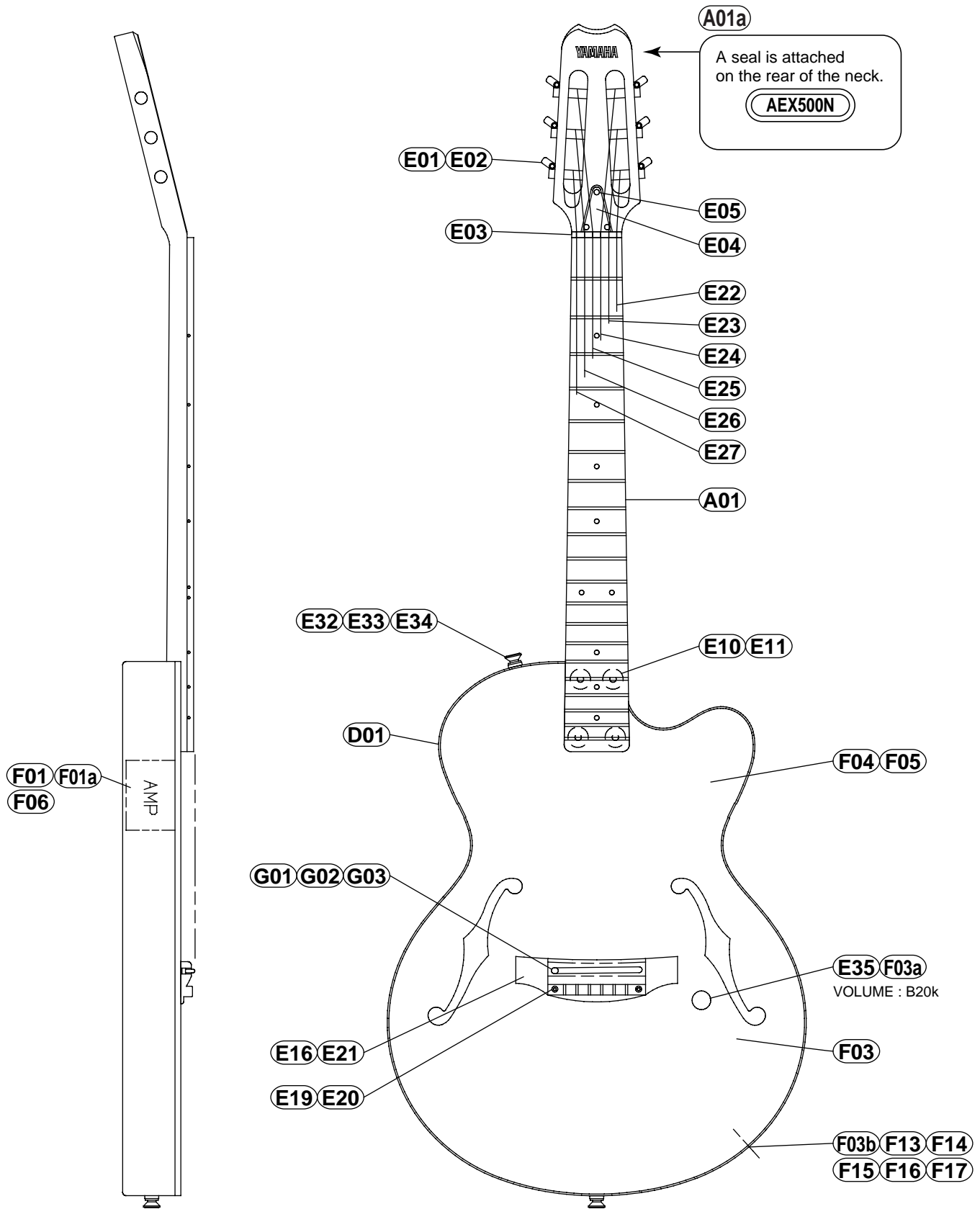
SERVICE MANUAL



■ CONTENTS

OVERALL ASSEMBLY.....	2
AMPLIFIER ASSEMBLY.....	4
ELECTRICAL PARTS.....	5
CIRCUIT BOARD.....	6
CIRCUIT DIAGRAM.....	7
WIRING.....	8
SPECIFICATIONS.....	8

OVERALL ASSEMBLY



REF NO.	PART NO.	DESCRIPTION		REMARKS	QTY	RANK
* A01	DX809760	OVERALL ASSEMBLY		AEX500N		
A01a	--	Neck Assembly				
		Seal		(QC45150)		
D01	--	Body				
E01	QA170300	Tuning Machine Assembly	RM1258 (GOLD)	1set		15
* E02	03714060	Round Head Wood Screw	2.1X8		8	02
E03	VQ014700	Nut	43mm (Ivory)			02
E04	VQ011800	Rod Cover	BL			02
E05	03706220	Oval Head Wood Screw	2.1X10 FCM3BL (BL)		3	01
E10	QC205200	Neck Joint Bushing	BL		4	04
E11	EN240070	Oval Head Tapping Screw	5.0X45 FCM3BL (BL)		4	
* E16	QC452000	Nut Assembly				
E19	20454100	Oval Head Wood Screw	2.4X16 FCM33G (CR)		2	01
* E20	03377460	Cap	M5.0 (WH)		2	
E21	QA079400	Mount	75X3X9.5 (Ivory)			02
E22	--	Strings	CG S11	1 (QA33300)		
E23	--	Strings	CG S12	2 (QA33310)		
E24	--	Strings	CG S13	3 (QA33320)		
E25	--	Strings	CG S14	4 (QA25310)		
E26	--	Strings	CG S15	5 (QA25320)		
E27	--	Strings	CG S16	6 (QA25330)		
E32	BB802460	Strap Button	GOLD		2	02
E33	EN230130	Oval Head Tapping Screw	3.0X32 GOLD (GL)		2	02
E34	VB793700	Spacer	BL		2	01
* E35	QC466500	Knob Assembly	M19 H17.5	VOLUME		
* F01	QC454500	Amplifier Assembly		AEX500N		
F01a	EB620020	Oval Head Wood Screw	2.7X13 FCM3BL		2	03
F03	--	Electrical Unit		JACK & M.VOLUME (QC39950)		
F03a	QC259500	Variable Resistor	B20K ohm	MASTER VOLUME		04
F03b	LB201120	Jack				03
F04	QC399100	Battery Case Assembly				04
F05	QC025000	Pan Head Tapping Screw	3.0X8 FCM3BL (BL)		2	
F06	VC668400	Cord Clamp				02
F13	VB518300	Jack Panel				05
F14	EB620020	Oval Head Wood Screw	2.7X13 FCM3BL (BL)		2	03
F15	LX200020	Hexagonal Nut	CR			01
F16	LX200010	Flat Washer	CR			01
F17	ET800040	Toothed Lock Washer	9S (A)		3	02
G01	QA360200	Pickup Assembly	HT mono.	Piezo		17
G02	LB009020	Connector Assembly	X2P-XHP 2P			01
G03	VC921600	Cace, Pickup (PU-G)	PU-G FG			07
H01	QC354400	Accessory Unit (G-5)		1set		08

* New Parts

RANK:Japan only

WARNING: CHEMICAL CONTENT NOTICE!

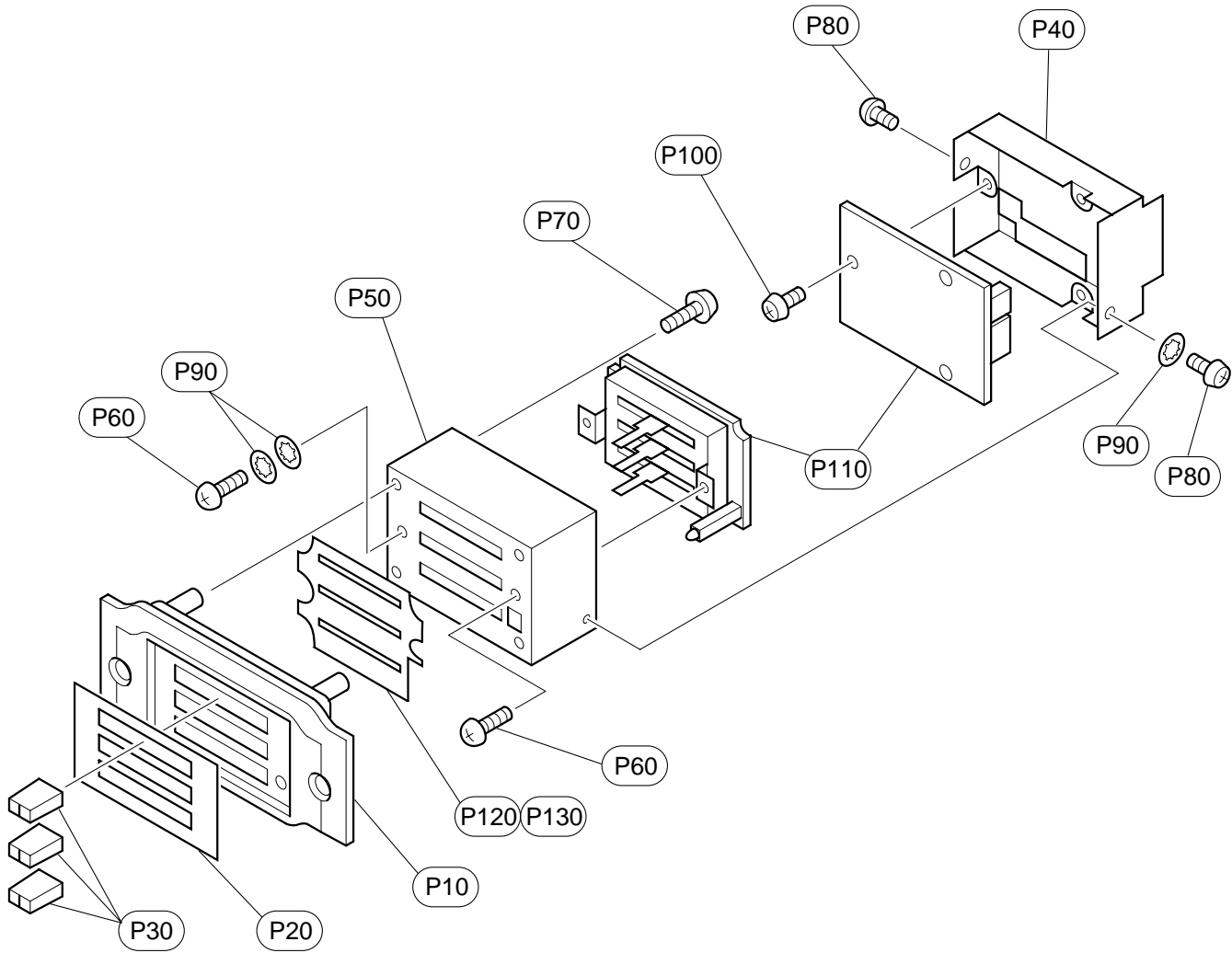
The solder used in the production of this product contains LEAD. In addition, other electrical/electronic and/or plastic (where applicable) components may also contain traces of chemicals found by the California Health and Welfare Agency (and possibly other entities) to cause cancer and/or birth defects or other reproductive harm.

DO NOT PLACE SOLDER, ELECTRICAL/ELECTRONIC OR PLASTIC COMPONENTS IN YOUR MOUTH FOR ANY REASON WHAT SO EVER!

Avoid prolonged, unprotected contact between solder and your skin! When soldering, do not inhale solder fumes or expose eyes to solder/flux vapor!

If you come in contact with solder or components located inside the enclosure of this product, wash your hands before handling food.

AMPLIFIER ASSEMBLY



REFNO.	PART NO.	DESCRIPTION		REMARKS	QTY	RANK
*	QC454500	AMPLIFIER ASSEMBLY		AEX500N		
	P10	QC398300	Frame	AEX-J2		02
	P20	QC398400	Panel	AEX-J2		03
	P30	QC200500	Knob		LOW,MID,HIGH	08
*	P40	QC398500	Amplifier Case, Lower			
*	P50	QC398600	Amplifier Case, Upper			
	P60	VT805400	Tras Head Screw	2.5X6 MFZN2BL (BL)		01
*	P70	QC399700	Pan Head Tapping Screw	2.6X6 FNM33G (NI)		4
	P80	QC187900	Bind Head Tapping Screw	3.0X5 ZMC2BL (BL)		2
	P90	QC224900	Toothed Lock Washer	M3.0 ZMC2BL		02
	P100	EG330360	Bind Head Screw	3.0X6 MFZN2BL (BL)		01
*	P110	QC454400	Circuit Board	AEX-J1		
*	P120	QC398700	Dust-proof Cloth			
*	P130	QC398800	Adhesive Tape			

* New Parts

RANK:Japan only

ELECTRICAL PARTS

REF NO.	PART NO.	DESCRIPTION		REMARKS	QTY	RANK
		ELECTRICAL PARTS		AEX500N		
*	QC454400	Circuit Board	AEX-J1			
C1	UB013220	Monolythic Cera. Cap.	2200p K 50V			01
C2	UB013100	Monolythic Cera. Cap.	1000p K 50V			01
C3	UB044680	Monolythic Cera. Cap.	0.068u K 50V			01
C4	UB045100	Monolythic Cera. Cap.	0.1u Z 50V			01
C5	UI366100	Electrolytic Cap.	1u/50V			01
C6	UB014120	Monolythic Cera. Cap.	0.012u K 50V			01
C7	UB044470	Monolythic Cera. Cap.	0.047u K 50V			01
C8	UB013270	Monolythic Cera. Cap.	2700p K 50V			01
C9	UB044100	Monolythic Cera. Cap.	0.01u K 50V			01
C10	UI337220	Electrolytic Cap.	22u/16V			01
C11	UI337220	Electrolytic Cap.	22u/16V			01
C12	UB014330	Monolythic Cera. Cap.	0.033u K 50V			01
C101	UB045100	Monolythic Cera. Cap.	0.1u Z 50V			01
C102	UB052100	Monolythic Cera. Cap.	100p J 50V			01
C103	UB051470	Monolythic Cera. Cap.	47p J 50V			01
C104	UB014100	Monolythic Cera. Cap.	0.01u K 50V			01
C105	UI366100	Electrolytic Cap.	1u/50V			01
C106	UB045100	Monolythic Cera. Cap.	0.1u Z 50V			01
C107	UB045100	Monolythic Cera. Cap.	0.1u Z 50V			01
C108	UB052100	Monolythic Cera. Cap.	100p J 50V			01
C109	UB051470	Monolythic Cera. Cap.	47p J 50V			01
C110	UI366100	Electrolytic Cap.	1u/50V			01
C111	UB013220	Monolythic Cera. Cap.	2200p K 50V			01
C112	VJ836900	Electrolytic Cap.	10u/16V			01
CN1	LB918020	Base Post Connector	B2B-XH-A	to PIEZO P.U.		01
CN3	LB918020	Base Post Connector	B2B-XH-A	to BATTERY		01
CN103	LB918030	Base Post Connector	B3B-XH-A	to JACK & M.VOLUME		01
D1	VB797600	Diode	RLS-73			01
IC1	XN309A00	IC	TL062CPS	OP AMP		03
IC101	XN309A00	IC	TL062CPS	OP AMP		03
LED1	VG261500	LED	3X5 RE	BAT.		01
R1	RD259100	Carbon Resistor(chip)	1M J			01
R2	RD259470	Carbon Resistor(chip)	4.7M J			01
R3	RD256680	Carbon Resistor(chip)	6.8K J			01
R4	RD256560	Carbon Resistor(chip)	5.6K K			01
R5	RD257150	Carbon Resistor(chip)	15K J			01
R6	RD257220	Carbon Resistor(chip)	22K J			01
R7	RD257120	Carbon Resistor(chip)	12K J			01
R8	RD257120	Carbon Resistor(chip)	12K J			01
R9	RD256390	Carbon Resistor(chip)	3.9K J			01
R10	RD256390	Carbon Resistor(chip)	3.9K J			01
R11	RD256220	Carbon Resistor(chip)	2.2K J			01
R12	RD255220	Carbon Resistor(chip)	220K J			01
R13	RD256150	Carbon Resistor(chip)	1.5K J			01
R14	RD257100	Carbon Resistor(chip)	10K J			01
R15	RD256220	Carbon Resistor(chip)	2.2K J			01
R16	RD254470	Carbon Resistor(chip)	47K J			01
R17	RD254470	Carbon Resistor(chip)	47K J			01
R18	RD257120	Carbon Resistor(chip)	12K J			01
R19	RD256680	Carbon Resistor(chip)	6.8K J			01
R101	RD256100	Carbon Resistor(chip)	1K J			01
R102	RD258470	Carbon Resistor(chip)	470K J			01
R103	RD256560	Carbon Resistor(chip)	5.6K J			01
R104	RD259470	Carbon Resistor(chip)	4.7K J			01
R105	RD257100	Carbon Resistor(chip)	10K J			01
R106	RD257100	Carbon Resistor(chip)	10K J			01
R107	RD258100	Carbon Resistor(chip)	100K J			01
R108	RD259470	Carbon Resistor(chip)	4.7K J			01
R109	RD254470	Carbon Resistor(chip)	47K J			01
R110	RD256220	Carbon Resistor(chip)	2.2K J			01
R111	RD254470	Carbon Resistor(chip)	47K J			01
R112	RD254470	Carbon Resistor(chip)	47K J			01
*	HX809530	Carbon Resistor	47K J			
RX1	XQ685A00	IC	RH5VL55AA	RESET		02
TR1	VQ986700	Transistor	2SC4081			01
VR1	HX808620	Slide Variable Resistor	50KB RA2043-20	LOW		04
VR2	HX808620	Slide Variable Resistor	50KB RA2043-20	HIGH		04
VR3	HX808620	Slide Variable Resistor	50KB RA2043-20	MID		04

*:New Parts

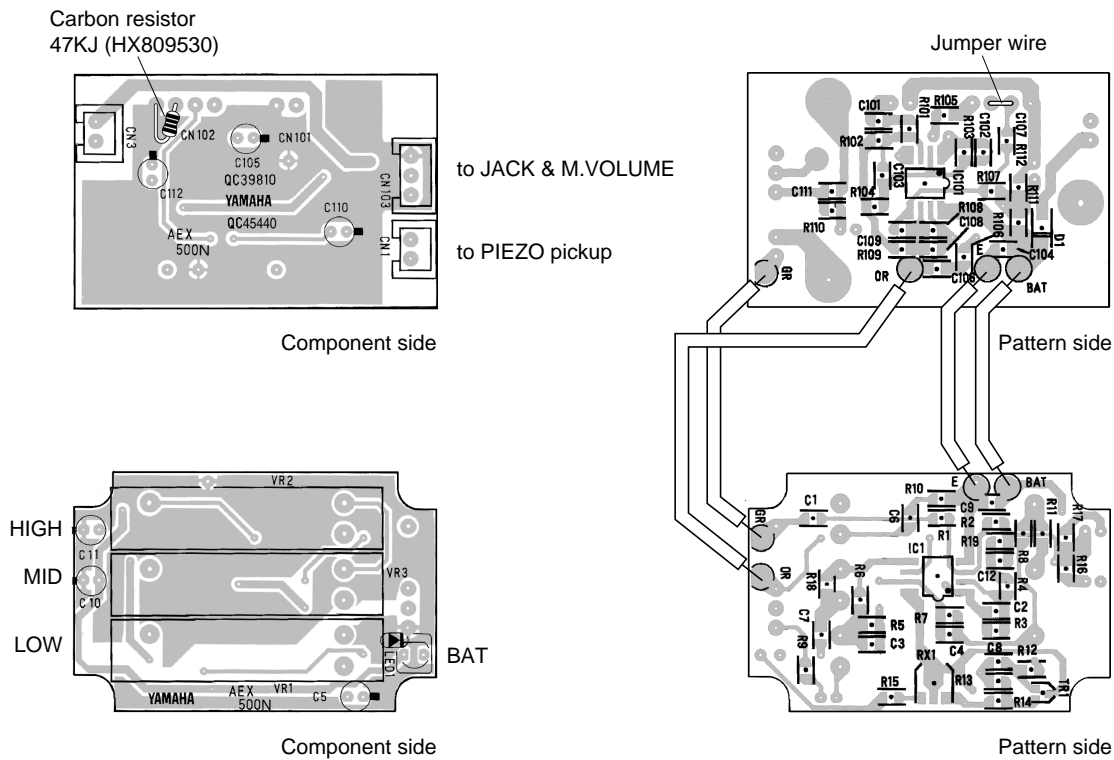
RANK:Japan only

REF NO.	PART NO.	DESCRIPTION		REMARKS	QTY	RANK
	VT188900	LED Spacer	17.7L			02
	--	Jumper Wire		(QC39820)		
	--	Angle Bracket				
	EA320036	Pan Head Screw	2.0X3		3	01

* New Parts

RANK:Japan only

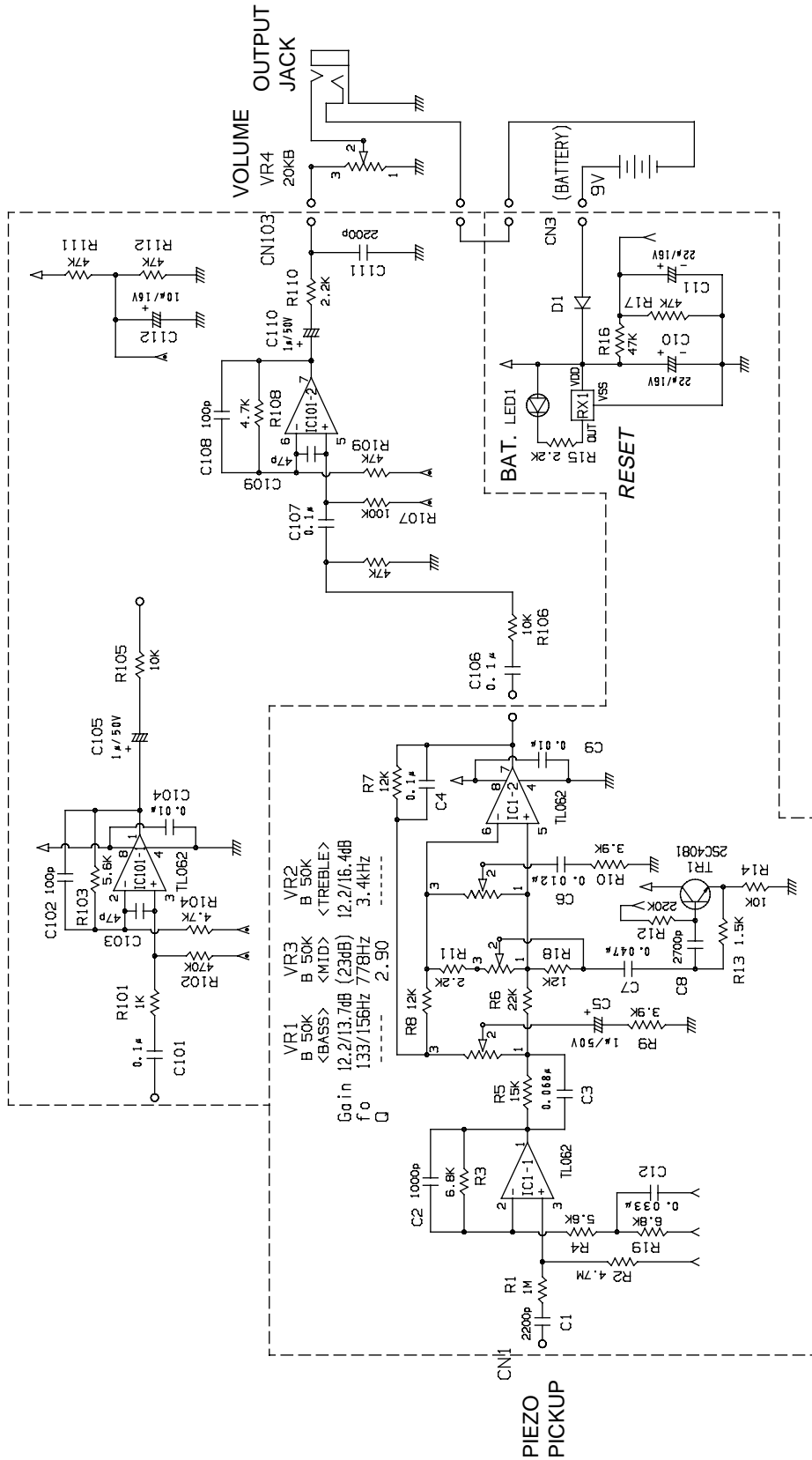
CIRCUIT BOARD



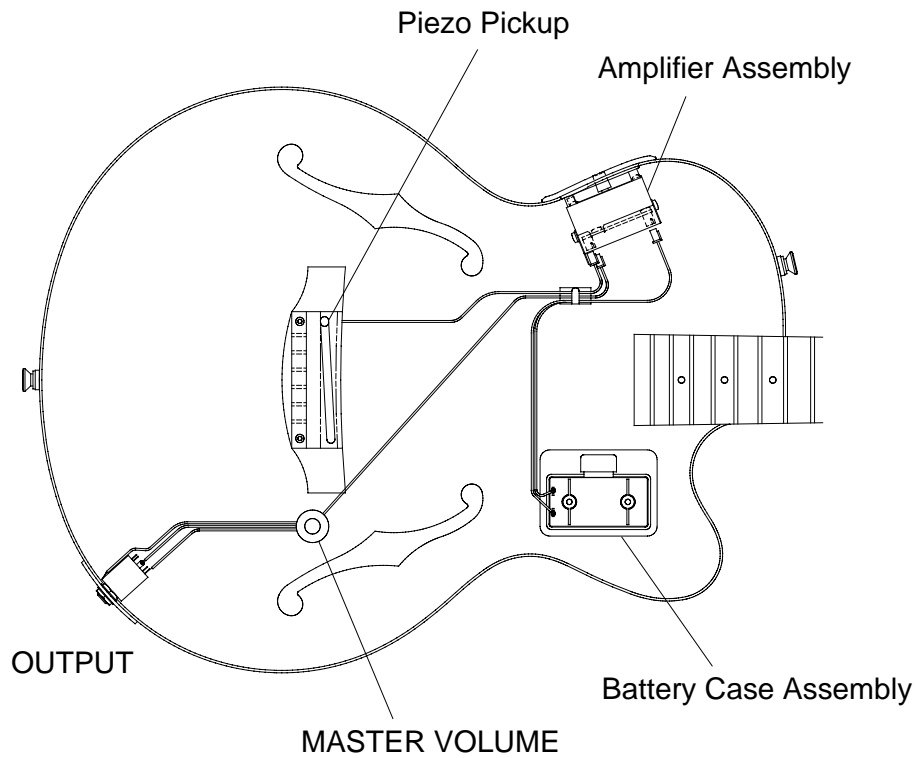
Note : See parts list for details of circuit board component parts.

QC45440

CIRCUIT DIAGRAM



■ WIRING



■ SPECIFICATIONS

● STANDARD SPECIFICATIONS

Scale Length	628.6mm
Body-Neck Construction	Bolt On
Length	979.0mm
Width	360.0mm
Net Weight	3.0kg

● COLOR

Body	
BL	Black
NT	Natural
SBB	See-through Blue Burst
Neck	
NT	Natural

● BODY

Material	Alder, Spruce
Body Depth	50.0mm

● FINGERBOARD

Material	Rosewood
Fingerboard Width	0-F 43.0 mm, 12-F 52.3 mm
No. of Frets	20

● NECK

Material	Maple
Neck Thickness	1-F 20.9 mm, 12-F 23.1 mm

● PARTS

Hardware	Gold Plated
Nut	Urea
Bridge	Piezo Pickup
Strings	S11-S16

● CONTROLS

Volume	B20k ohm x 1
--------------	--------------

● PICKUPS

Pickup	Piezo Pickup HT
--------------	-----------------